

We could have created the usual cylinder, but we have chosen a track system that makes the difference.

## **Track system**



# **Contents**

<b>2</b>	<b>Luceplan track system</b>
<b>5</b>	<b>Alibel</b>
<b>15</b>	<b>Doi Flia Hono Koinè Lita</b>
<b>27</b>	<b>Technical data</b>
<b>38</b>	<b>Suspension track</b>
<b>42</b>	<b>Ceiling-Wall track</b>
<b>47</b>	<b>Built-in track</b>
<b>50</b>	<b>Optics 2700</b>
<b>52</b>	<b>Optics 3000</b>
<b>53</b>	<b>Remote LED driver</b>



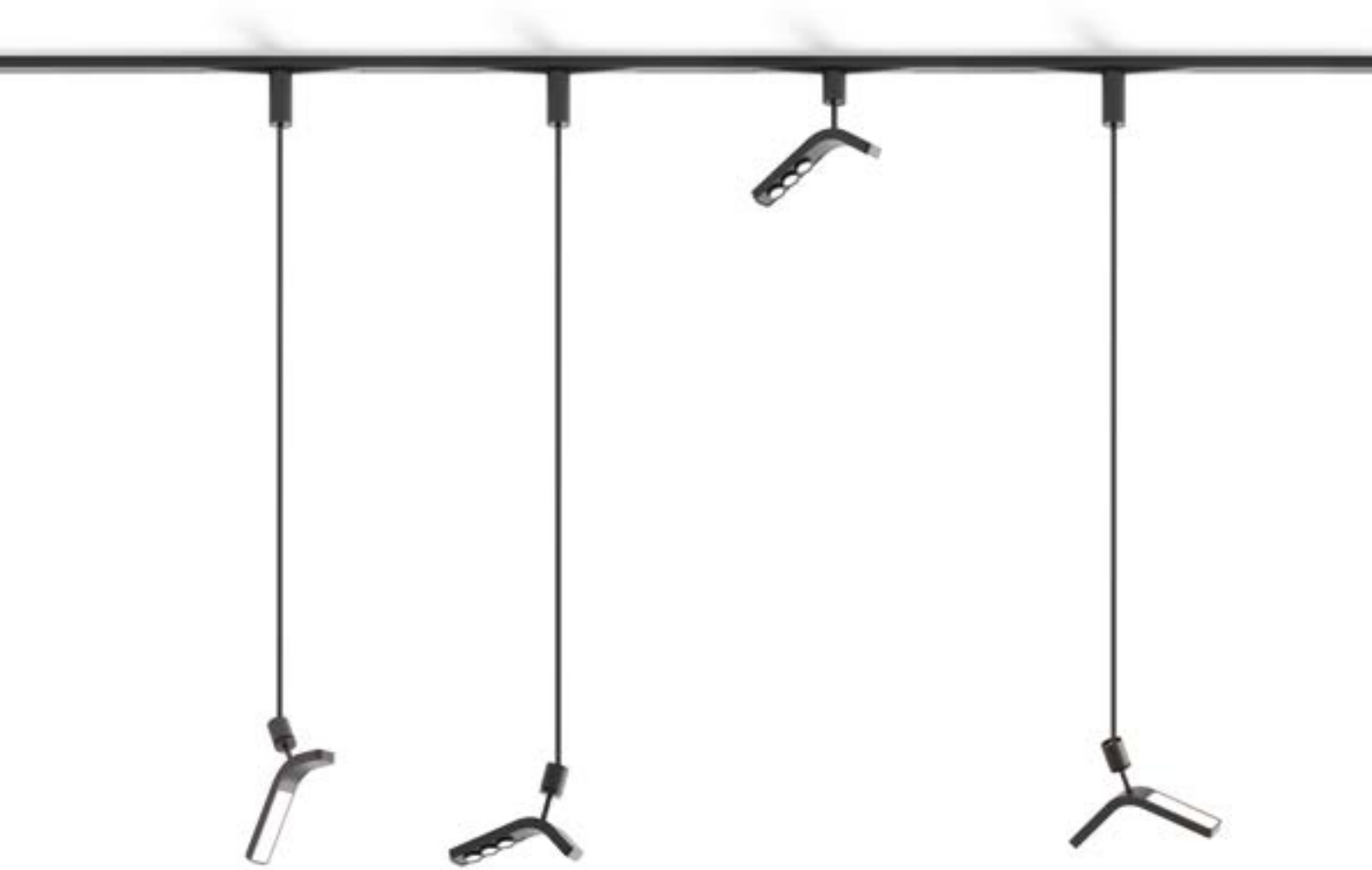
EN With the new track system, Luceplan explores what is a technical aspect, reinterpreting it in a decorative way. Fully in line with the design signature, it is the ideal solution both for residential contexts and for projects in the world of contracting. A versatile system whose elegant, slender lines permit the creation of geometric forms on ceilings, walls, recessed and ceiling, perfect for the personalization of spaces, ready to adapt to different installation requirements. The track lighting has been interpreted by utilizing various collections: Alibel and Flia, designed by Alessandro Zambelli; Koinè, by Mandalaki; Doi, by Meneghello Paoletti; Lita, by David Dolcini and Hono, with design by Mandalaki. Elegant and essential, with its infinite possibilities and three types - ceiling/wall, built-in and suspension - the new Luceplan sistema binario offers an original and versatile interpretation of a lighting classic. Various accessories are available: starting with the power head that ensures electrification along the track, all the way to the optical fixtures set into its profile. Or the joints and curves (the latter only in the ceiling/wall version), which bring electrical continuity to a sequence of tracks, and all the accessories that permit discreet interconnection, granting aesthetic harmony to the entire system. The track is supplied in three different lengths (100, 200 and 300 cm), in a black finish for all the types, and also in white in the ceiling/wall and suspension models.

IT Con il nuovo sistema binario, Luceplan esplora un ambito tecnico reinterpretandolo in chiave decorativa. Sempre in linea con il design d'autore, è la soluzione ideale sia per ambiti residenziale che per i progetti legati al mondo del contract. Un sistema versatile che, con le sue linee eleganti e sottili, consente di disegnare geometrie a soffitto, parete, incasso e sospensione, ideali per personalizzare l'ambiente e adattarsi a differenti esigenze d'installazione. L'illuminazione a binario è interpretata utilizzando diverse collezioni: Alibel e Flia, design Alessandro Zambelli; Koinè, design Mandalaki; Doi, design Meneghello Paoletti; Lita, design David Dolcini e Hono, design Mandalaki. Elegante ed essenziale, con le sue infinite possibilità e le sue tre tipologie - soffitto/parete, incasso e sospensione -, il nuovo sistema binario Luceplan è un'inedita e versatile interpretazione di un classico dell'illuminazione. Diversi sono gli accessori disponibili: a partire dalla testata di alimentazione che garantisce l'elettrificazione lungo il binario, fino alle ottiche integrate nel profilo dello stesso. O ancora, i giunti e le curve (queste ultime soltanto per la versione soffitto/parete) che portano continuità elettrica ad una successione di binari, e tutti quegli accessori che permettono il collegamento discreto fra questi, conferendo un'armonia estetica all'intero sistema. Il binario è disponibile in tre diverse lunghezze (100, 200 e 300 cm), in finitura nera per tutte le tipologie e sia bianca che nera esclusivamente per le versioni soffitto/parete e sospensione.

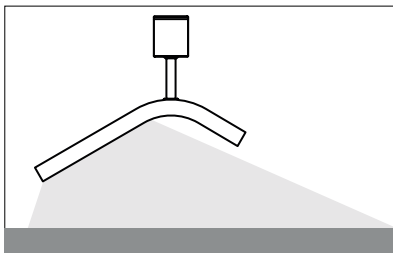


How to light  
space

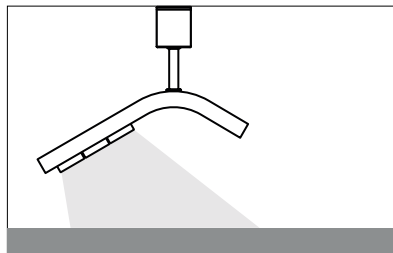
**Alibel**



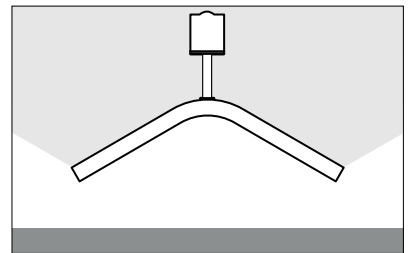
A13WB0DO/A13B0DO/A13WBCDO/  
A13BCDO/A13WBLDO/A13BLDO



A13WB0DL/A13B0DL/A13WBCDL/  
A13CDL/A13WBLDL/A13BLDL



A13WBCU2/A13WBLU2/A13BLU2



EN The luminous body in die-cast aluminium is equipped with a spherical joint that permits directional adjustment of the beam, and can also be outfitted with a slender stem (6 mm in diameter) that distances the fixture from the track, bringing it closer to the worksurface. This module can take on two different geometric figures: symmetrical, with upward emission, where the source is distributed in the upper part of the body; and asymmetrical, for a downward beam, where the source is placed in the lower part of the body and the optical solution can provide diffused emission or use lenses to generate accent lighting.

IT Il corpo illuminante, in pressofusione di alluminio, è munito di uno snodo sferico che consente di direzionare il fascio luminoso e può essere anche dotato di un sottile stelo (diametro 6 mm) che lo distanzia dal binario avvicinandolo al piano di lavoro. Tale modulo è declinato in due geometrie: simmetrica, ad emissione verso l'alto, dove la sorgente è distribuita nella parte superiore del corpo; asimmetrica, ad emissione verso il basso, dove la sorgente è collocata nella parte inferiore del corpo e l'ottica può essere sia ad emissione diffusa che provvista di lenti, per una luce d'accento.







EN Elegant and light in weight, the Alibel lighting system provides two fixtures for track installation (with direct and indirect emission) capable of producing ambient and accent lighting, which can be equipped with a lightweight diffuser with an elliptical form (50 x 33,5 cm). Taking inspiration from the world of nature, Alibel references the image of a dragonfly poised on a pool of water, creating concentric circles, embodied in the diffuser itself. This (optional) part in recyclable PET, characterized by an ethereal texture, spreads soft, diffused lighting that gives Alibel remarkable evocative force.

IT Elegante e leggero, il sistema di illuminazione Alibel dispone di due corpi illuminanti installabili a binario (ad emissione diretta e indiretta), in grado di generare tanto una luce diffusa quanto d'accento e che possono essere corredati da un sottile e leggero diffusore di forma ellittica (50 x 33,5 cm). Traendo ispirazione dal mondo naturale, Alibel rimanda all'immagine di una libellula che si appoggia su uno specchio d'acqua creando cerchi concentrici, qui restituiti nel diffusore stesso. Il diffusore (opzionale), realizzato in PET riciclabile e caratterizzato da una texture eterea, distribuisce una luce morbida e diffusa, conferendo ad Alibel un impatto fortemente evocativo.







**Doi  
Flia  
Hono  
Koinè  
Lita**

Doi spot

Doi

Flia

Koinè

Alibel

Lita

Hono



EN Apart from the Alibel system of lamps, track lighting has been interpreted by utilizing several other Luceplan collections: Flia by Alessandro Zambelli, already equipped with a practical and flexible adaptor for the directional adjustment of the luminous body; Doi suspension and Doi spot by Meneghello Paoletti, whose slender cylinder with an elegant finish is the perfect extension of the track; Koinè (diameter 20 cm) by Mandalaki, whose lens spreads glare-free brightness with clearly defined contours and Hono, with its light diffuser enveloping the slender stem rising into the air; Lita by David Dolcini, whose opaline blown glass diffuser is scanned by slight vertical cusps that vanish at the extremities. Connected to the slim track by means of the adaptor the luminous parts take on a new deployment and a larger number of possible configurations, with a distributed glow that changes based on the device utilized.

IT Oltre che con il sistema di lampade Alibel, l'illuminazione a binario è interpretata utilizzando altre collezioni Luceplan: Flia di Alessandro Zambelli, già munita del pratico adattatore e flessibile nell'orientabilità del suo corpo illuminante; Doi sospensione e spot di Meneghello Paoletti, il cui sottile cilindro dalla pregiata finitura è la perfetta estensione del binario; Koinè (diametro 20 cm) di Mandalaki, che con la sua lente minerale diffonde una luce non abbagliante dai contorni definiti e Hono, con il suo leggero diffusore che avvolge lo stelo sottile librandosi nell'aria; Lita di David Dolcini, il cui diffusore in vetro soffiato opalino è scandito da lievi cuspi verticali che svaniscono ai poli. Collegati al sottile binario per mezzo dell'adattatore, i corpi illuminanti trovano una nuova declinazione e un sempre maggiore numero di configurazioni possibili, con una distribuzione luminosa che cambia in base al dispositivo utilizzato.













---

## Alibel

A13WB0DO	2W, 2700K, CRI 90, 48 Vdc, SELV
A13B0DO	2W, 3000K, CRI 90, 48 Vdc, SELV
A13WB0DL	9W, 2700K, CRI 90, 48 Vdc, SELV
A13B0DL	9W, 3000K, CRI 90, 48 Vdc, SELV
A13WBCDO	2W, 2700K, CRI 90, 48 Vdc, SELV
A13BCDO	2W, 3000K, CRI 90, 48 Vdc, SELV
A13WBCDL	9W, 2700K, CRI 90, 48 Vdc, SELV
A13BCDL	9W, 3000K, CRI 90, 48 Vdc, SELV
A13WBLDO	2W, 2700K, CRI 90, 48 Vdc, SELV
A13BLDO	2W, 3000K, CRI 90, 48 Vdc, SELV
A13WBLDL	9W, 2700K, CRI 90, 48 Vdc, SELV
A13BLDL	9W, 3000K, CRI 90, 48 Vdc, SELV
A13WBCU2	6W, 2700K, CRI 90, 48 Vdc, SELV
A13BCU2	6W, 3000K, CRI 90, 48 Vdc, SELV
A13WBLU2	6W,2700K, CRI 90, 48 Vdc, SELV
A13BLU2	6W,3000K, CRI 90, 48 Vdc, SELV
A13WBCV5	6W, 2700K, CRI 90, 48 Vdc, SELV
A13BCV5	6W, 3000K, CRI 90, 48 Vdc, SELV

---

## Doi suspension

A05S1W - A05S2W + A05/7 LED 5W, 2700K, CRI 90, 48 Vdc, SELV

A05S1 - A05S2 + A05/7 LED 5W, 3000K, CRI 90, 48 Vdc, SELV

---

## Doi spot

A05WB1 LED 5W, 2700K, CRI 90, 48 Vdc, SELV

A050B1 LED 5W, 3000K, CRI 90, 48 Vdc, SELV

---

## Flia

A04WB1 LED 3.3W, 2700K, CRI 90, 48 Vdc, SELV

A04B1 LED 3.3W, 3000K, CRI 90, 48 Vdc, SELV

---

## Hono

A16WB1

A16B1 Further info on [luceplan.com](http://luceplan.com)

---

## Koinè

A07S20W + A07/11 12W, 2700K, CRI 90, 48 Vdc, SELV

A07S20 + A07/11 12W, 3000K, CRI 90, 48 Vdc, SELV

---

## Lita

D92WB14

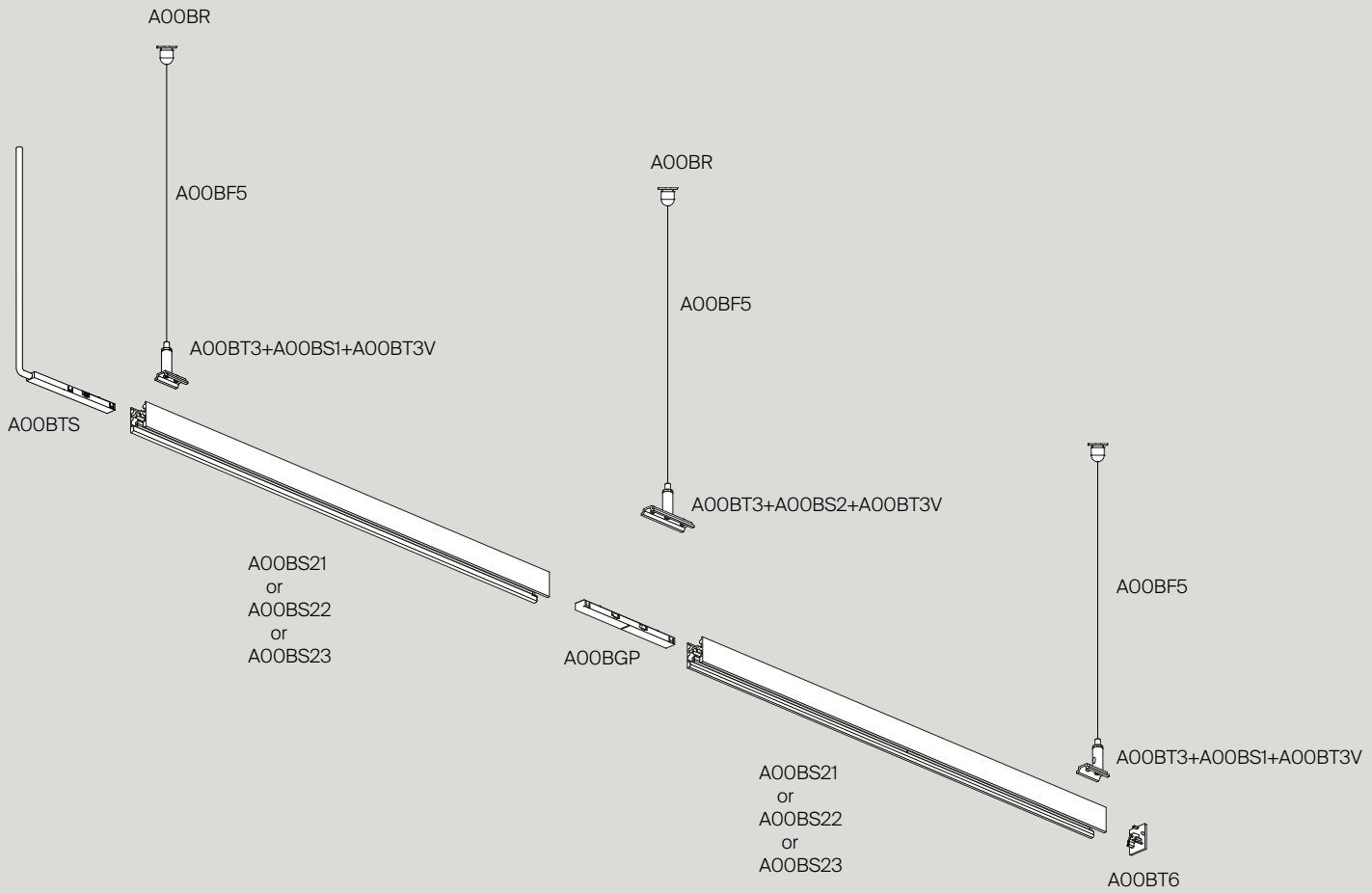
D92B14 Further info on [luceplan.com](http://luceplan.com)

---



# Technical data

# Suspension track



A00BS21 - A00BS22 - A00BS23  
track L100 L200 L300

A00BGP  
jointing connector

A00BTS  
end feed

A00BS1  
short bracket

A00BS2  
long bracket

A00BC5  
frontal cap

A00BT6  
end cap

A00BT3  
rope tensioner

A00BT  
locking tool

A00BR  
rope suspension bell

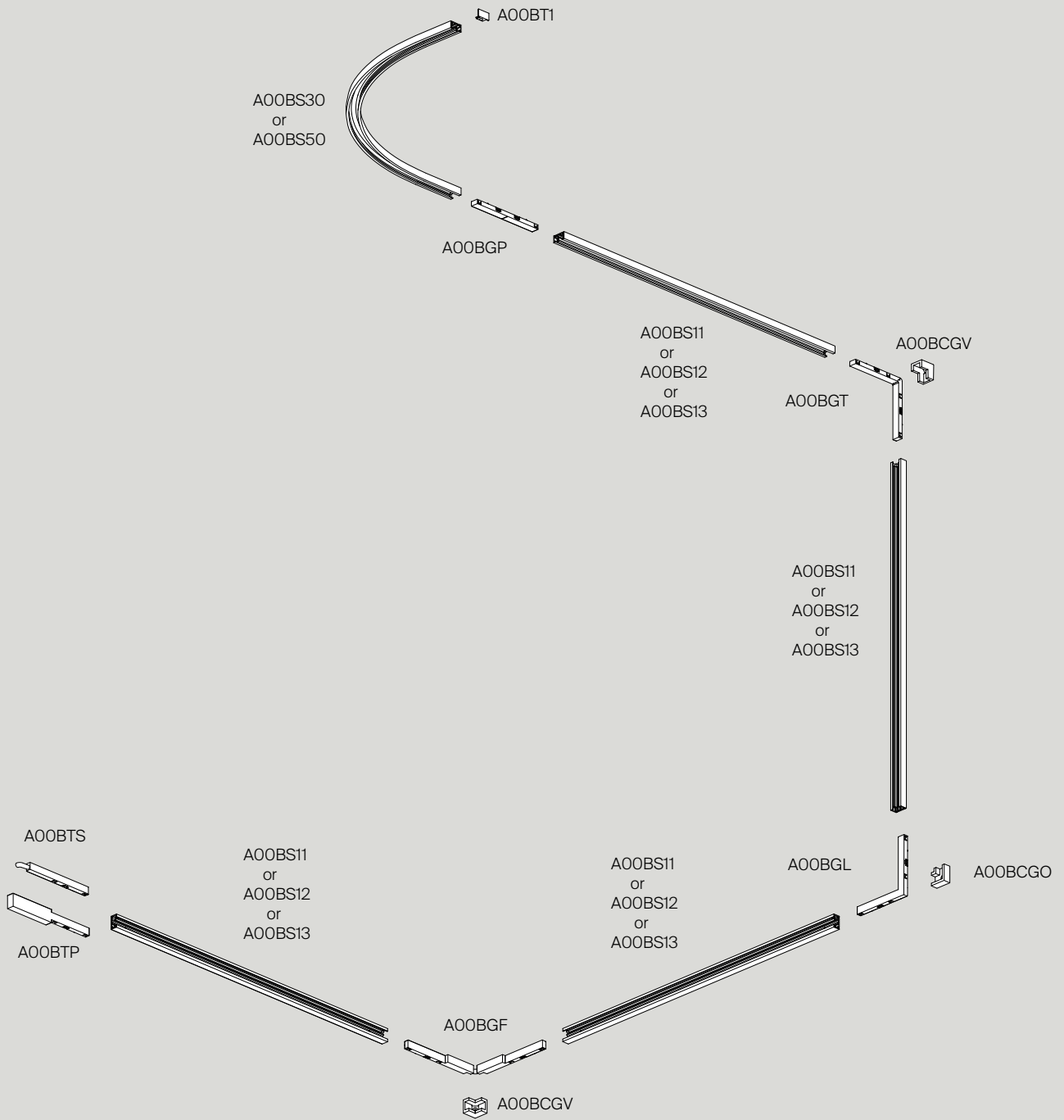
A00BF5  
steel cable

A00BT3V  
screws

A00BDS  
ceiling rose

A00B10048  
remote led driver

# Ceiling-wall track



A00BS11 - A00BS12 - A00BS13  
track L100 L200 L300



A00BGP  
jointing connector



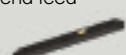
A00BGF  
adjustable corner



A00BTP  
end feed



A00BTS  
concealed  
end feed



A00BGT  
L feed ceiling-wall



A00BGL  
L joint



A00BT  
locking tool



A00BC1  
frontal cap



A00BT1  
end cap



A00BDP  
ceiling rose with  
power feed



A00BS30  
curved track



A00BS50  
curved track



A00BS3V  
vertical curved  
track



A00BCGO  
horizontal corner  
joint cover



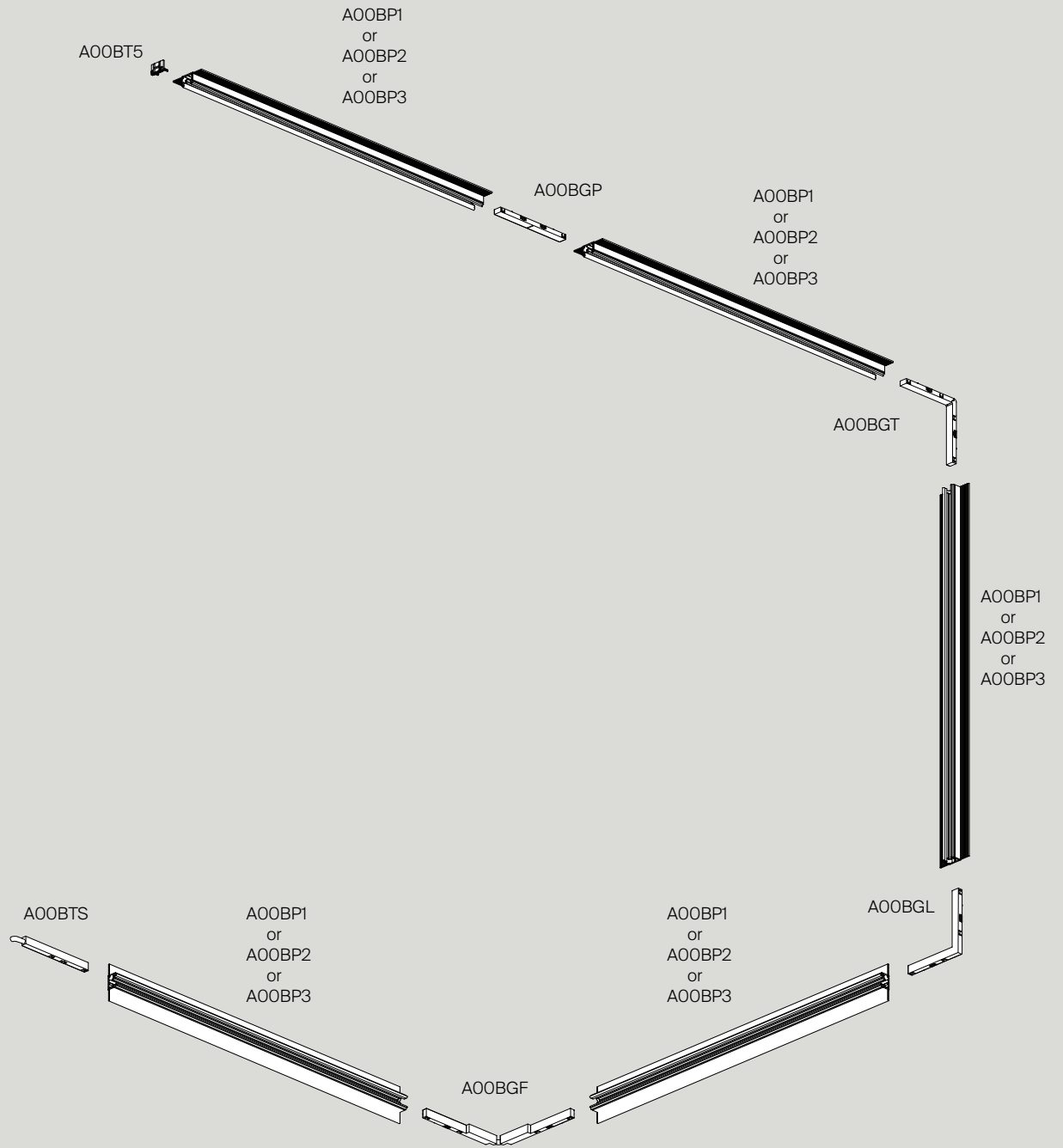
A00BCGV  
vertical corner  
joint cover



A00B10048  
remote led driver



# Built-in track



A00BP1 - A00BP2 - A00BP3  
track L100 L200 L300



A00BGP  
jointing connector



A00BTS  
end feed



A00BGL  
L joint



A00BGT  
L feed ceiling-wall



A00BC5  
frontal cap



A00BT5  
end cap



A00BD5  
template



A00BT  
locking tool



A00B10048  
remote led driver

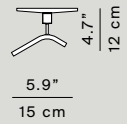


**A13**  
dimmmable DALI

Use in combination  
with following track codes ONLY  
A00BS11 - A00BS12 - A00BS13  
A00BP1 - A00BP2 - A00BP3  
A00BS21 - A00BS22 - A00BS23

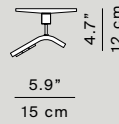
**A13WB0DO**

**A13B0DO**



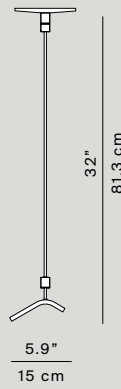
**A13WB0DL**

**A13B0DL**



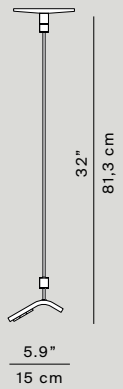
**A13WBCDO**

**A13BCDO**



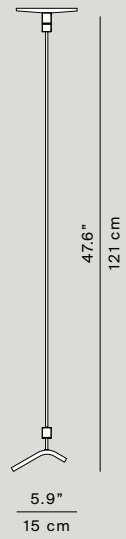
**A13WBCDL**

**A13BCDL**



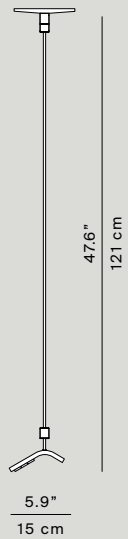
**A13WBLDO**

**A13BLDO**



**A13WBLDL**

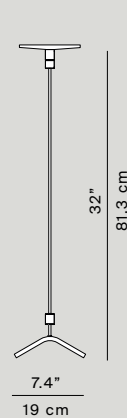
**A13BLDL**



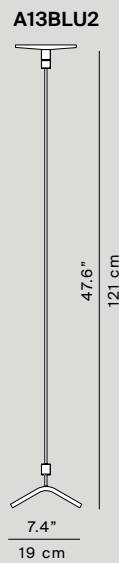
**A13**  
dimmmable DALI

Use in combination  
with following track codes ONLY  
A00BS11 - A00BS12 - A00BS13  
A00BP1 - A00BP2 - A00BP3  
A00BS21 - A00BS22 - A00BS23

**A13WBCU2**

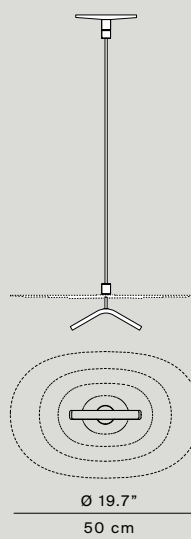


**A13WBLU2**



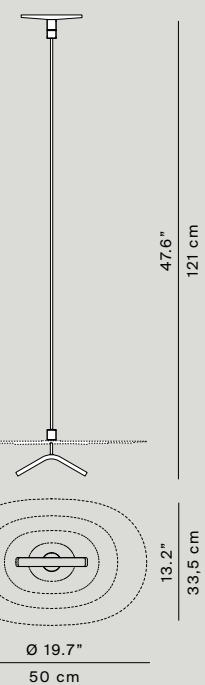
**A13WBCU2 + A13/1**

**A13BCU2 + A13/1**

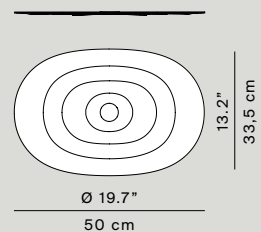


**A13WBLU2 + A13/1**

**A13BLU2 + A13/1**

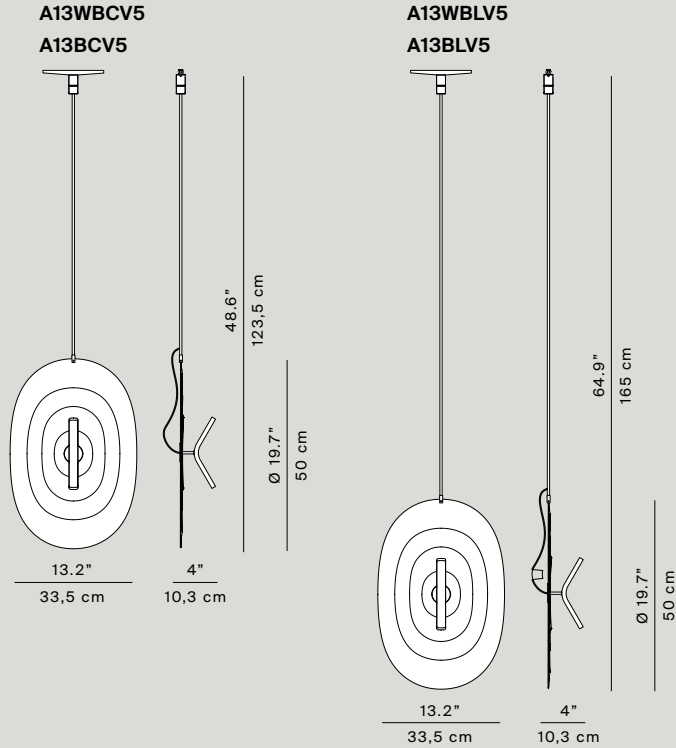


**A13/1**  
diffuser



**A13**  
dimnable DALI

Use in combination  
with following track codes ONLY  
A00BS11 - A00BS12 - A00BS13  
A00BP1 - A00BP2 - A00BP3  
A00BS21 - A00BS22 - A00BS23



**Light source**

A13BCU2 - A13BLU2	6W, 3000K, CRI 90, 48Vdc, SELV, 419 lm
A13WBCU2 - A13WBLU2	6W, 2700K, CRI 90, 48Vdc, SELV, 412 lm
A13BCU2+A13/1 - A13BLU2+A13/1	6W, 3000K, CRI 90, 48Vdc, SELV, 381 lm
A13WBCU2+A13/1 - A13WBLU2+A13/1	6W, 2700K, CRI 90, 48Vdc, SELV, 375 lm
A13BCV5 - A13BLV	6W, 3000K, CRI 90, 48Vdc, SELV, 381 lm
A13WBCV5 - A13WBLV5	6W, 2700K, CRI 90, 48Vdc, SELV, 375 lm
A13B0DL - A13BCDL - A13BLDL	9W, 3000, CRI 90, 48Vdc, SELV, Beam angle sigle lens 15° * , 471 lm
A13WB0DL - A13WBCDL - A13WBLDL	9W, 2700K, CRI 90, 48Vdc, SELV, Beam angle sigle lens 15° * , 440 lm
A13B0DO - A13BCDO - A13BLDO	2W, 3000K, CRI 90, 48Vdc, SELV, 292 lm
A13WB0DO - A13WBCDO - A13WBLDO	2W, 2700K, CRI 90, 48Vdc, SELV, 273 lm

\* refer to photometry for complete details

**Materials**

Painted aluminium structure, PET diffuser

**Structure finishes**



Matt  
Black

**Diffuser finishes**



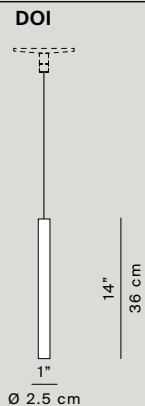
Opal



**A05S1 / A05S1W**  
**A05S2 / A05S2W**  
**+ A05/7**

dimmable DALI

Use in combination  
 with following track codes ONLY  
 A00BS11 - A00BS12 - A00BS13  
 A00BP1 - A00BP2 - A00BP3  
 A00BS21 - A00BS22 - A00BS23



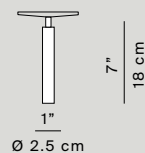
**A05/7**  
 track adapter  
 dimmable DALI  
 48Vdc SELV



**A05WB1 / A05OB1**

dimmable DALI

Use in combination  
 with following track codes ONLY  
 A00BS11 - A00BS12 - A00BS13  
 A00BP1 - A00BP2 - A00BP3  
 A00BS21 - A00BS22 - A00BS23



**Light source**

**A05S1W - A05S2W**

LED 5W, 2700K, Beam angle sigle lens 15° \* , CRI 90

**A05WB1**

LED 5W, 2700K, Beam angle sigle lens 15° \* , CRI 90

**A05S1 - A05S2**

LED 5W, 3000K, Beam angle sigle lens 15° \* , CRI 90

**A05OB1**

LED 5W, 3000K, Beam angle sigle lens 15° \* , CRI 90

\* refer to photometry for complete details

**Rating**

**A05S1 - A05S1W -  
 A05S2W - A05S2 +A05/7  
 A05OB1 - A05WB1**

5W, 48 Vdc, SELV

**Materials**

Aluminium

**Body finishes**



Ribbed  
white



Matt  
brass



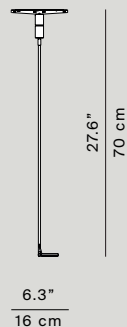
Matt  
Black



**A04B1 / A04WB1**

dimmable DALI

Use in combination  
with following track codes ONLY  
A00BS11 - A00BS12 - A00BS13  
A00BP1 - A00BP2 - A00BP3  
A00BS21 - A00BS22 - A00BS23

**Light source****A04B1 / A04WB1**

LED 3.3W 2700K / 3000K CRI 90  
48 Vdc, SELV

**Materials**

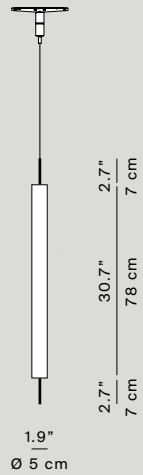
Stem: carbon fiber, head: aluminium

**Structure finishes**

A16B1 / A16B1W

+ A16/2

dimmable DALI



<b>Light source</b>	<b>D92B02 / D92B02W</b>	35W, 2700K or 3000K, CRI 90
	<b>D92B01 / D92B01W</b>	48 Vdc, SELV
<b>Materials</b>	Aluminium reflector, 100% cotton paper diffuser	

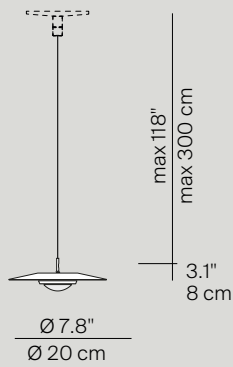
**Structure finishes****Diffuser finishes**Further info on [luceplan.com](http://luceplan.com)

**A07S20W / A07S20**  
+ A07/11

dimmableDALI

Use in combination  
with following track codes ONLY  
A00BS11 - A00BS12 - A00BS13  
A00BP1 - A00BP2 - A00BP3  
A00BS21 - A00BS22 - A00BS23

**A07S20W / A07S20**



**A07/11**

track adapter  
dimmable DALI  
48Vdc SELV



**Light source**

**A07S20W / A07S20**

12W, 2700K or 3000K, CRI 90

**Rating**

**A07A20W / A07A20 + A07/11**

12W, 48 Vdc, SELV

**Materials**

Aluminium reflector, glass lens

**Finishes**  
Suspension



Blue



Black



Red



White



# D92

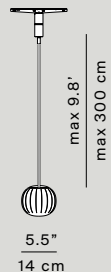
# Lita

**D92 track**

**D92B02 / D92B02W**

**D92B01 / D92B01W**

dimnable DALI



**Light source**

**D92B02 / D92B02W**

12W, 2700K or 3000K, CRI 90

**D92B01 / D92B01W**

48 Vdc, SELV

**Materials**

Painted aluminium structure, blown opal glass diffuser

**Structure finishes**



Matt  
Black

**Diffuser finishes**



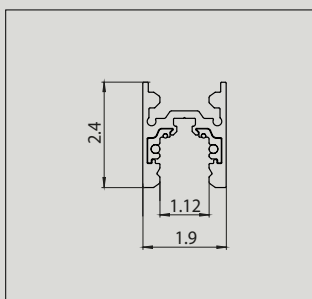
White



Further info on [luceplan.com](http://luceplan.com)

# Suspension track

## A00BS21

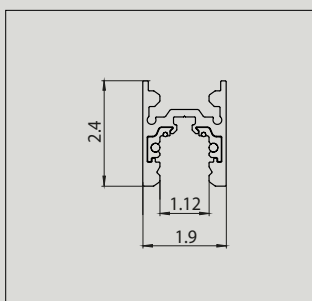


**track**  
1,9 x H 2,4 cm  
L 100 cm

9A000BS21002 white  
9A000BS21001 black

Compatible with:  
Alibel  
Doi  
Doi spot  
Flia  
Koinè A07S20W/A07S20

## A00BS22

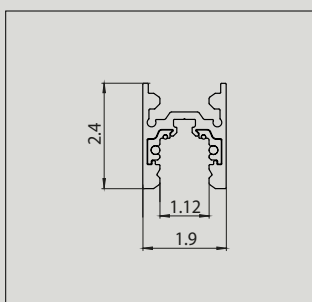


**track**  
1,9 x H 2,4 cm  
L 200 cm

9A000BS22002 white  
9A000BS22001 black

Compatible with:  
Alibel  
Doi  
Doi spot  
Flia  
Koinè A07S20W/A07S20

## A00BS23

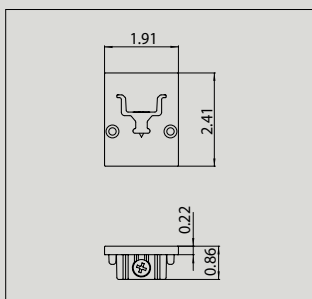
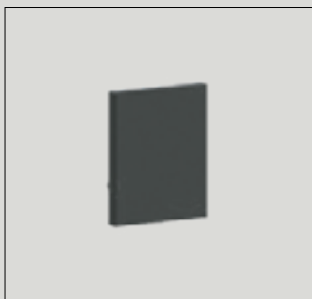


**track**  
1,9 x H 2,4 cm  
L 300 cm

9A000BS23002 white  
9A000BS23001 black

Compatible with:  
Alibel  
Doi  
Doi spot  
Flia  
Koinè A07S20W/A07S20

## A00BT6

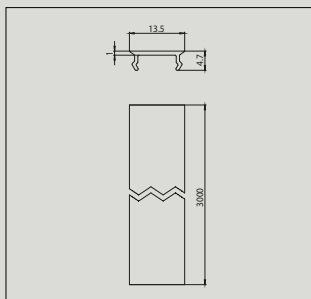


**end cap**  
1,9 x H 2,4 cm  
L 0,8 cm

9A000BT60002 white  
9A000BT60001 black

# Suspension track

## A00BC5

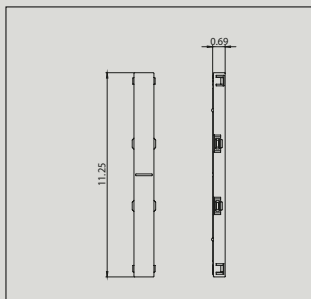


### frontal cap

1,3 x H 0,5 cm  
L 300 cm

9A000BC50002 white  
9A000BC50001 black

## A00BGP

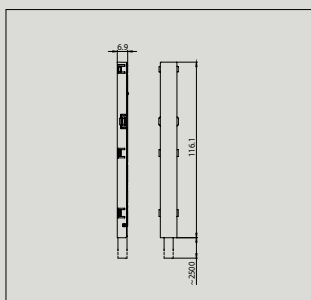


### jointing connector

1,1 x H 0,7 cm  
L 11,3 cm

9A000BGP0002 white  
9A000BGP0001 black

## A00BTS

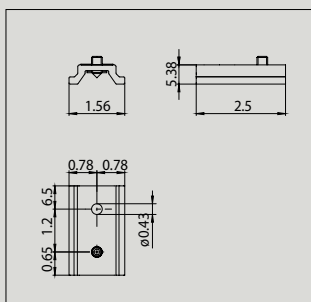


### end feed

1,1 x H 0,7  
L 11,6 cm  
L cable 250 cm

9A000BTS0002 white  
9A000BTS0001 black

## A00BS1



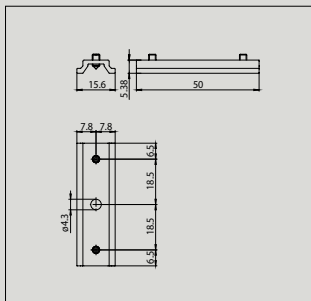
### short bracket

1,5 x H 0,5 cm  
L 2,5 cm

9A000BS10002 white  
9A000BS10001 black

# Suspension track

## A00BS2

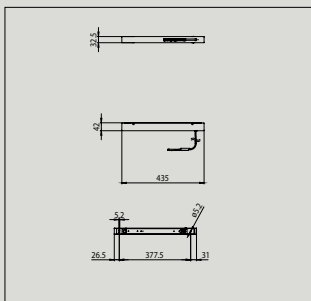


### long bracket

1,5 x H 0,5 cm  
L 5 cm

9A000BS20002 white  
9A000BS20001 black

## A00BDS

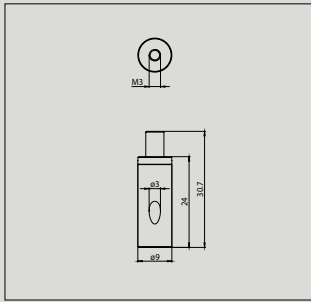


### ceiling rose

3,2 x H 4,2 cm  
L 43,5 cm

9A000BDS0002 white  
9A000BDS0001 black

## A00BT3

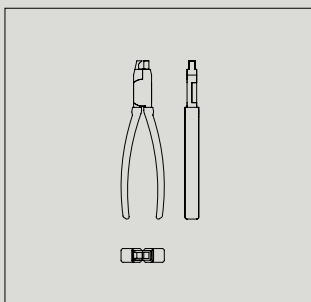


### rope tensioner

Ø 9 x H 3 cm

9A000BT£0000 metal

## A00BT

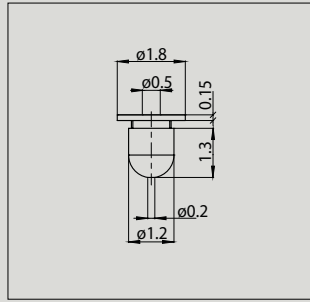


### locking tool

9A000BT00000

# Suspension track

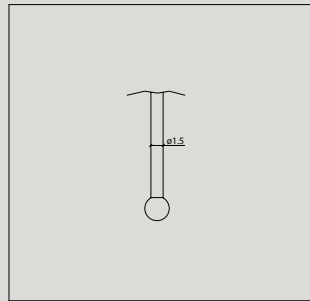
## A00BR



**rope suspension bell**  
 $\phi 1,2$  cm

9A000BRO0000 black

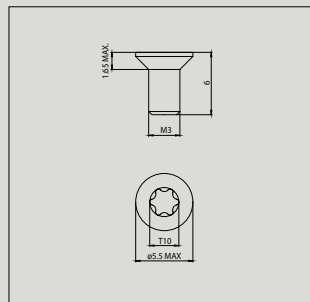
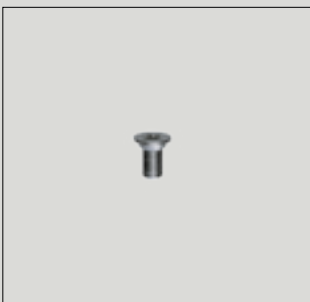
## A00BF5



**steel cable**  
 $\phi 0,15$  cm  
L 500 cm

9A000BF50000 metal

## A00BT3V

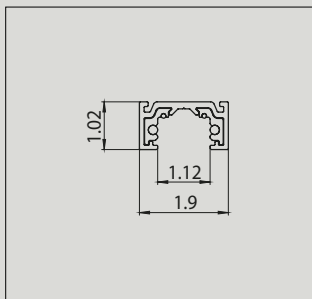


**screws**  
5 x M 3 x 6 cm

9A000BT3V000 black

# Ceiling-Wall track

## A00BS11

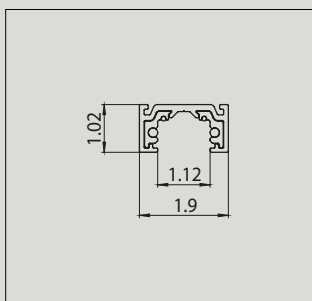


**track**  
1,9 x H 1 cm  
L 100 cm

9A000BS11002 white  
9A000BS11001 black

Compatible with:  
Doi  
Flia  
Koinè

## A00BS12

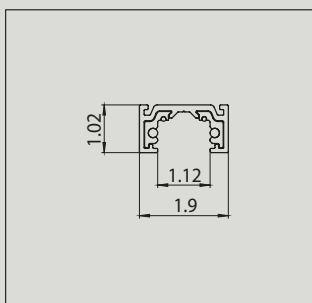


**track**  
1,9 x H 1 cm  
L 200 cm

9A000BS12002 white  
9A000BS12001 black

Compatible with:  
Doi  
Flia  
Koinè

## A00BS13

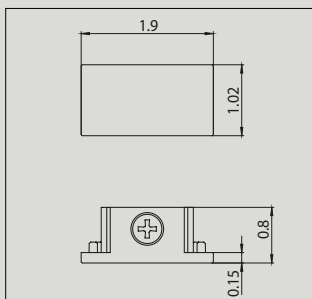


**track**  
1,9 x H 1 cm  
L 300 cm

9A000BS13002 white  
9A000BS13001 black

Compatible with:  
Doi  
Flia  
Koinè

## A00BT1

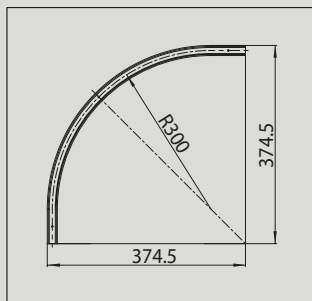


**end cap**  
1,9 x H 1 cm  
L 0,8cm

9A000BT10002 white  
9A000BT10001 black

# Ceiling-Wall track

## A00BS30



### curved track

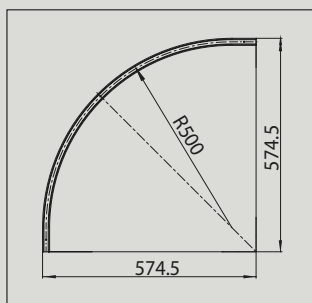
1,9 x H 1 cm

R 30 cm

9A000BS30002 white

9A000BS30001 black

## A00BS50



### curved track

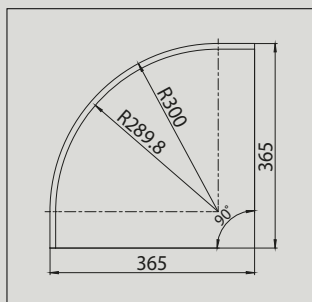
1,9 x H 1 cm

R 50 cm

9A000BS50002 white

9A000BS50001 black

## A00BS3V



### vertical curved track

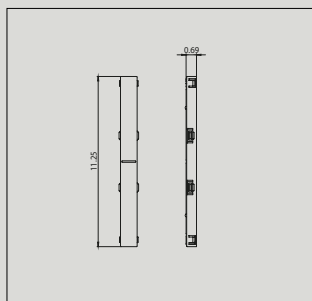
1,9 x H 1 cm

R 30 cm

9A000BS3V002 white

9A000BS3V001 black

## A00BGP



### jointing connector

1,1 x H 0,7 cm

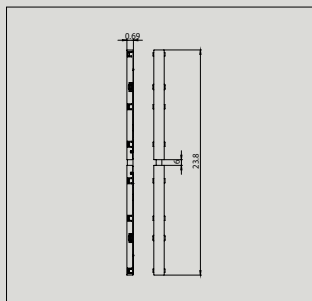
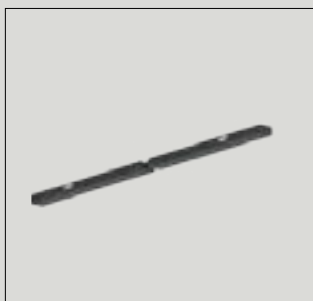
L 11,3 cm

9A000BGP0002 white

9A000BGP0001 black

# Ceiling-Wall track

## A00BGF



### adjustable corner

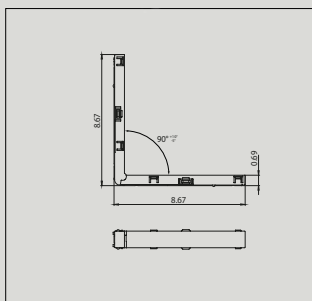
1,1 x H 0,7 cm

L 23,8 cm

9A000BGF0002 white

9A000BGF0001 black

## A00BGT



### L feed ceiling-wall

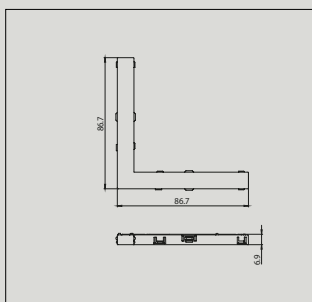
8,7 x H 1,1 cm

L 8,7 cm

9A000BGT0002 white

9A000BGT0001 black

## A00BGL



### L joint

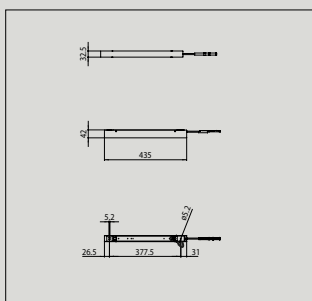
8,7 x H 0,7 cm

L 8,7 cm

9A000BGL0002 white

9A000BGL0001 black

## A00BDP



### ceiling rose

3,2 x H 4,2 cm

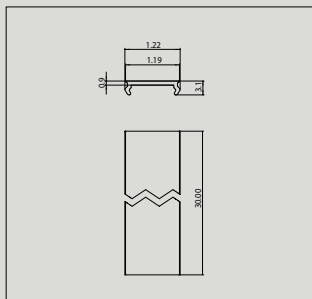
L 43,5 cm

9A000BDP0002 white

9A000BDP0001 black

# Ceiling-Wall track

## A00BC1

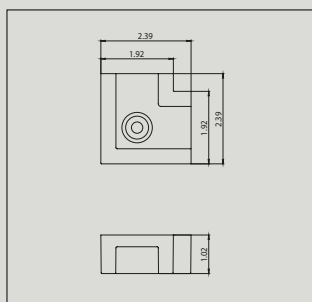


### frontal cap

1,2 x H 0,3 cm  
L 300 cm

9A000BC10002 white  
9A000BC10001 black

## A00BCGO

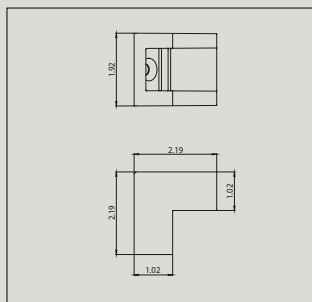
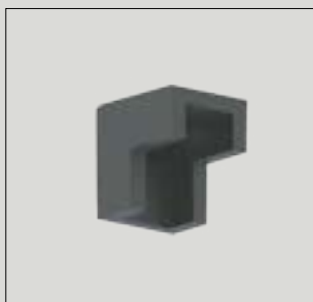


### horizontal corner joint cover

2,4 x H 1 cm  
L 2,4 cm

9A000BCGO002 white  
9A000BCGO001 black

## A00BCGV

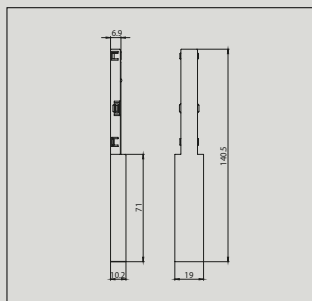


### vertical corner joint cover

2,2 x H 1,9 cm  
L 2,2 cm

9A000BCGV002 white  
9A000BCGV001 black

## A00BTP



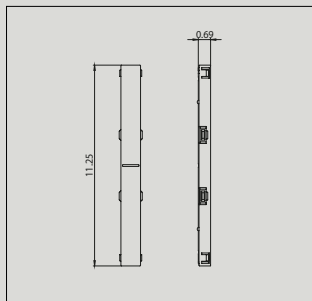
### end feed

1,9 x H 1 cm  
L 14 cm

9A000BTP0002 white  
9A000BTP0001 black

# Ceiling-Wall track

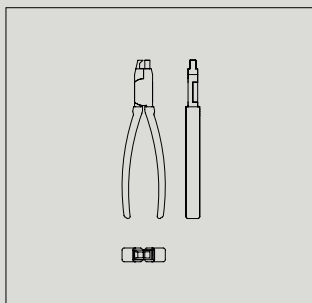
## A00BTS



**end feed**  
1,1 x H 0,7 cm  
L 11,6 cm  
L cable 250 cm

9A000BTS0002 white  
9A000BTS0001 black

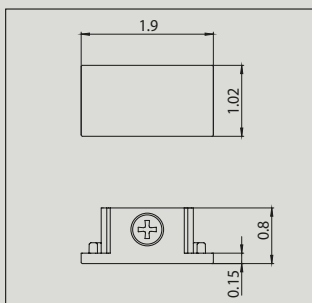
## A00BT



**locking tool**

9A000BT00000

## A00BT1

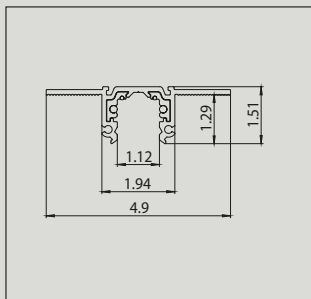


**end cap**  
1,9 x H 1 cm  
L 0,8cm

9A000BT10002 white  
9A000BT10001 black

# Built-in track

## A00BP1



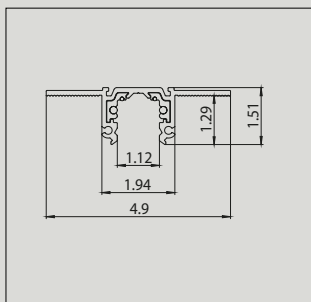
**track**

4,9 x H 1,5 cm

L 100 cm

9A000BP10001    black

## A00BP2



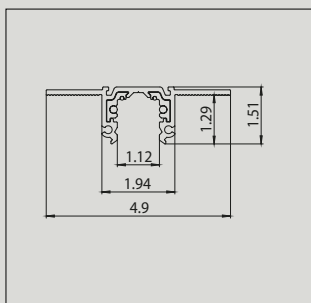
**track**

4,9 x H 1,5

L 200

9A000BP20001    black

## A00BP3



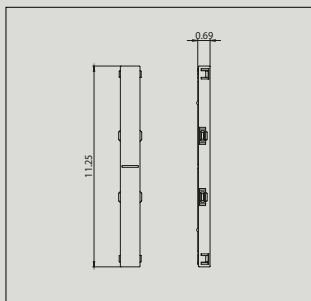
**track**

4,9 x H 1,5 cm

L 300 cm

9A000BP30001    black

## A00BGP



**jointing connector**

1,1 x H 0,7 cm

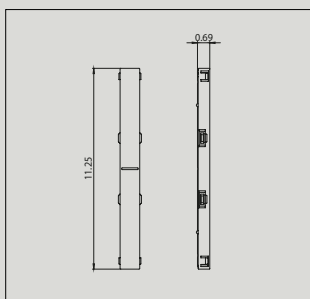
L 11,3 cm

9A000BGP0002    white

9A000BGP0001    black

# Built-in track

## A00BTS

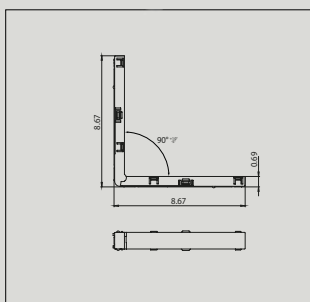


### end feed

1,1 x H 0,7 cm  
L 11,6 cm  
L cable 250 cm

9A000BTS0002 white  
9A000BTS0001 black

## A00BGT

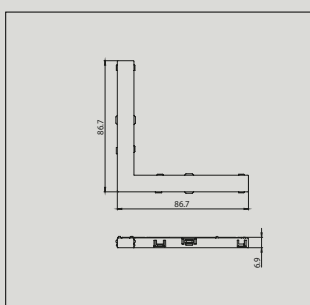


### L feed ceiling-wall

8,7 x H 1,1 cm  
L 8,7 cm

9A000BGT0002 white  
9A000BGT0001 black

## A00BGL

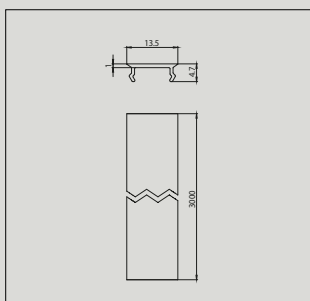


### L joint

8,7 x H 0,7 cm  
L 8,7 cm

9A000BGL0002 white  
9A000BGL0001 black

## A00BC5



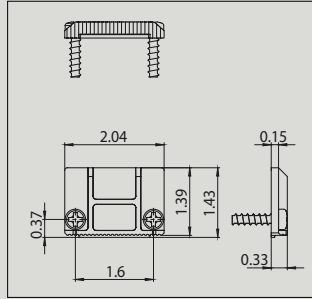
### frontal cap

1,3 x H 0,5 cm  
L 300 cm

9A000BC50002 white  
9A000BC50001 black

# Built-in track

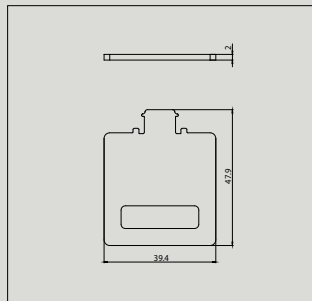
## A00BT5



**end cap**  
2 x H 1,4  
L 0,3 cm

9A000BT50001    black

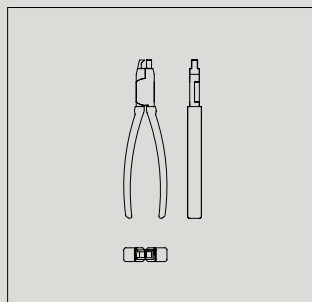
## A00BD5



**template**  
3,9 x H 4,8  
thickness 0,2 cm

9A000BD50000

## A00BT

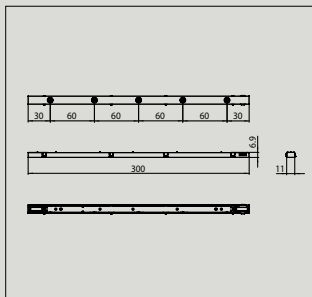


**locking tool**

9A000BT00000

# Optics 2700K

## A00WB303

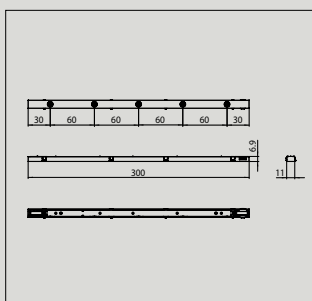
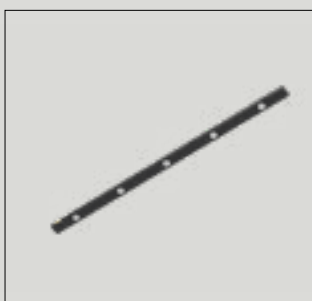


**5 x LED lens 30° optic**  
 dimmable push/DALI  
 48V dc, SELV  
 1,1 x H 0,7 cm  
 L 30 cm

4,9W, 2700K, CRI 90

9A00WB303001 black

## A00WBE03

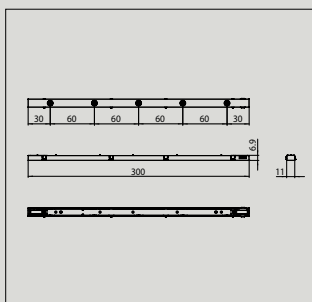


**5 x LED lens 21,6° x 37,6° optic**  
 dimmable push/DALI  
 48V dc, SELV  
 1,1 x H 0,7 cm  
 L 30 cm

4,9W, 2700K, CRI 90

9A00WBE03001 black

## A00WBU03

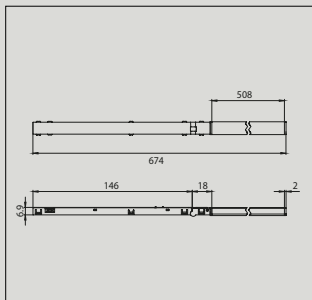
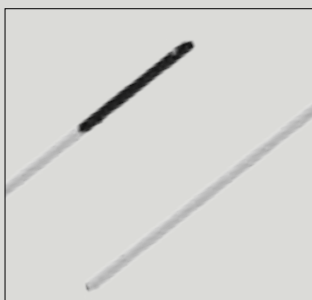


**5 x LED lens UGR optic**  
 dimmable push/DALI  
 48V dc, SELV  
 1,1 x H 0,7 cm  
 L 30 cm

4,9W, 2700K, CRI 90

9A00WBU03001 black

## A00WB067



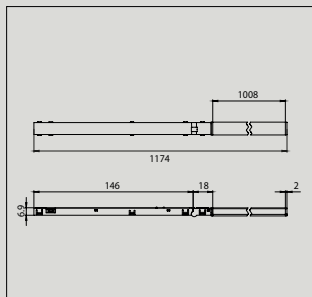
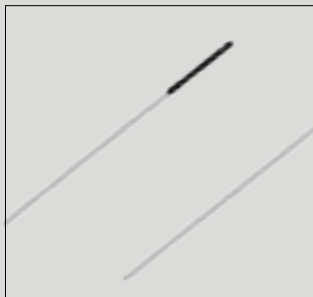
**opal optic only for A00BS11,  
 A00ES12, A00BS13**  
 dimmable push/DALI  
 48V dc, SELV  
 1,1 x H 0,7 cm  
 L 67,4 cm

7,4W, 2700K, CRI 90

9A00WB067001 black

# Optics 2700K

## A00WB117

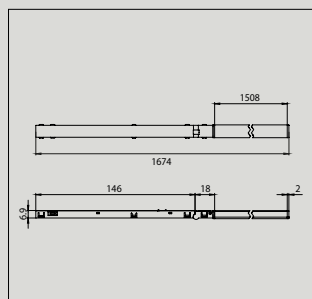
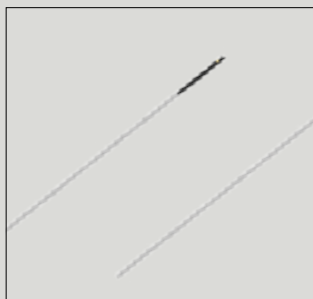


**opal optic only for A00BS11,  
A00BS12, A00BS13**  
dimnable push/DALI  
48V dc, SELV  
1,1 x H 0,7 cm  
L 117,4 cm

14,5W, 2700K, CRI 90

9A00WB117001 black

## A00WB167



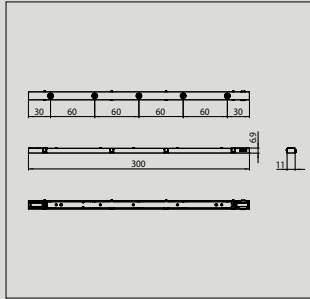
**opal optic only for A00BS11,  
A00BS12, A00BS13**  
dimnable push/DALI  
48V dc, SELV  
1,1 x H 0,7 cm  
L 167,4 cm

21,6W, 2700K, CRI 90

9A00WB167001 black

# Optics 3000K

## A00B303

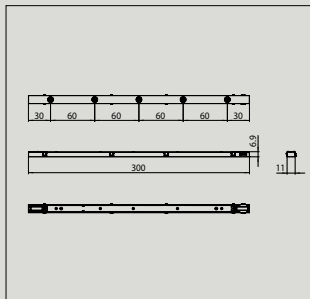


**5 x LED lens 30° optic**  
dimmable push/DALI  
48V dc, SELV  
1,1 x H 0,7 cm  
L 30 cm

4,9W, 3000K, CRI 90

9A000B303001 black

## A00BE03

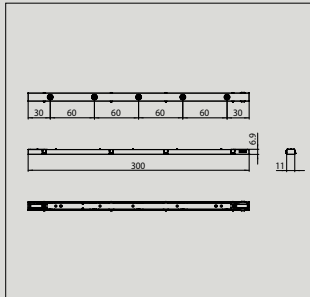


**5 x LED lens 21,6° x 37,6° optic**  
dimmable push/DALI  
48V dc, SELV  
1,1 x H 0,7 cm  
L 30 cm

4,9W, 3000K, CRI 90

9A000BE03001 black

## A00BU03

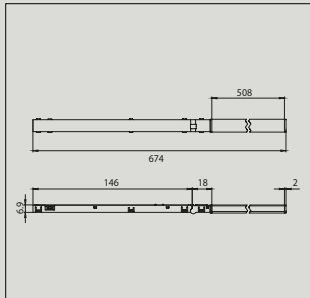
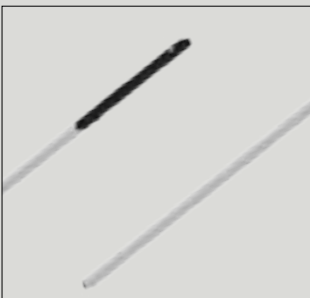


**5 x LED UGR optic**  
dimmable push/DALI  
48V dc, SELV  
1,1 x H 0,7 cm  
L 30 cm

4,9W, 3000K, CRI 90

9A000BU03001 black

## A00B067



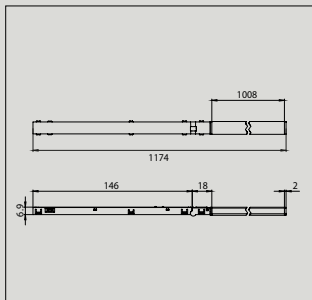
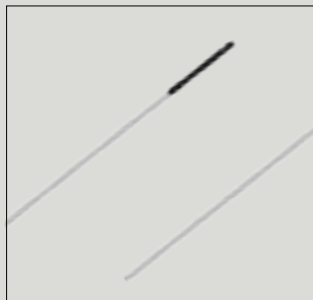
**opal optic only for A00BS11,  
A00BS12, A00BS13**  
dimmable push/DALI  
48V dc, SELV  
1,1 x H 0,7 cm  
L 67,4 cm

7,4W, 3000K, CRI 90

9A000B067001 black

# Optics 3000K

## A00B117

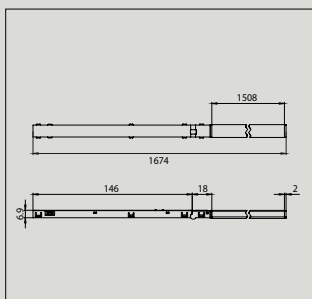
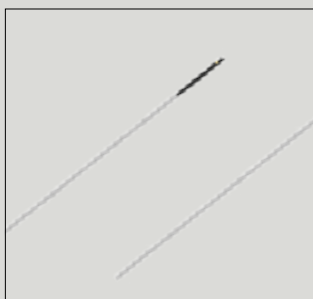


**opal optic only for A00BS11,  
A00BS12, A00BS13**  
dimnable push/DALI  
48V dc, SELV  
1,1 x H 0,7 cm  
L 117,4 cm

14,5W, 3000K, CRI 90

9A000B117001      black

## A00B167



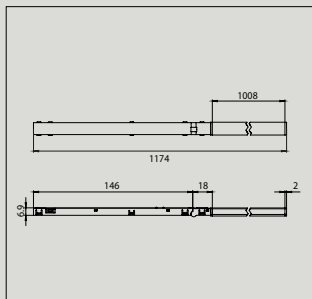
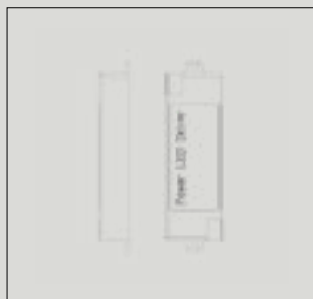
**opal optic only for A00BS11,  
A00BS12, A00BS13**  
dimnable push/DALI  
48V dc, SELV  
1,1 x H 0,7 cm  
L 167,4 cm

21,6W, 3000K, CRI 90

9A000B167001      black

# Remote LED driver

## A00B10048



**remote driver**  
on-off remote driver  
48V dc, SELV 50/60HZ

Compatible for all tracks

© Luceplan 2025

Via E.T. Moneta 40  
20161 Milano  
T +39 02 66 242 1  
F +39 02 66 203 400  
info@luceplan.com  
www.luceplan.com

**Photography**

Massimo Minchio  
(p. 2)  
Studio 9010  
(p. 6, 10, 16, 18, 19, 20,  
22, 23)  
Thomas Pagani  
(p. 8, 9, 12, 13, 21)

**Styling**

Alessandra Monti  
(p. 18, 20, 22, 23)

**Project**

**coordination**

Silvia Severoni

**Printed by**

Geca Industrie Grafiche

1PN000118





