

# PRESS RELEASE

# E15 X ZETR



FOR FURTHER PRESS INFORMATION AND  
HIGH-RESOLUTION IMAGES PLEASE CONTACT:  
Anna Schmidhauser  
T +49 (0) 69 945 4918 0  
anna.schmidhauser@e15.com

e15 is proud to announce a new partnership: Australian brand ZETR designs and manufactures award-winning electrical, setting new benchmarks for residential, commercial and public space applications. Established in 2017, ZETR offers a distinct range of refined and integrated power outlets, switches and electrical fixtures that provide minimal impact on architectural finishes. e15 is the official representative of ZETR System 25 in Europe including Norway, Switzerland, Turkey and the UK, providing for new and elegant power and data solutions for nearly all e15 tables and for integration into products from other manufacturers.



PRESS  
RELEASE

E15  
X  
ZETR



# SYSTEM 25

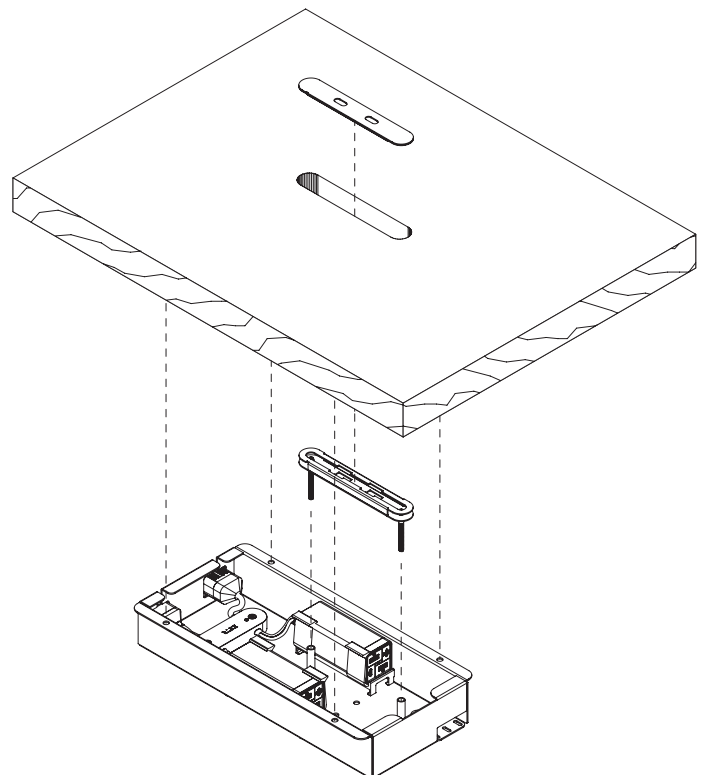
High output, small footprint

System 25 is a modular power and data system configurable with two, four and eight port options, flexible to suit the aesthetic and power requirements of any space, featuring high output charging and fast data transfer. Universal IEC connectors allow users to connect to 25 anywhere in the world.



Power and data are delivered simply through connectivity of USB-A, USB-C, HDMI and DATA. Internationally certified, high output power supply delivers fast charging. Available in single as standard (85 Watt) or upgradeable to dual (170 Watt) and quad (340 Watt) power supply.

System 25 is designed for ease of maintenance and serviceability. Laser etching at each port location are available for applications that require instruction or customization. Available in four different metal finish faceplates: Brass, Bronze, Steel and Black Steel.



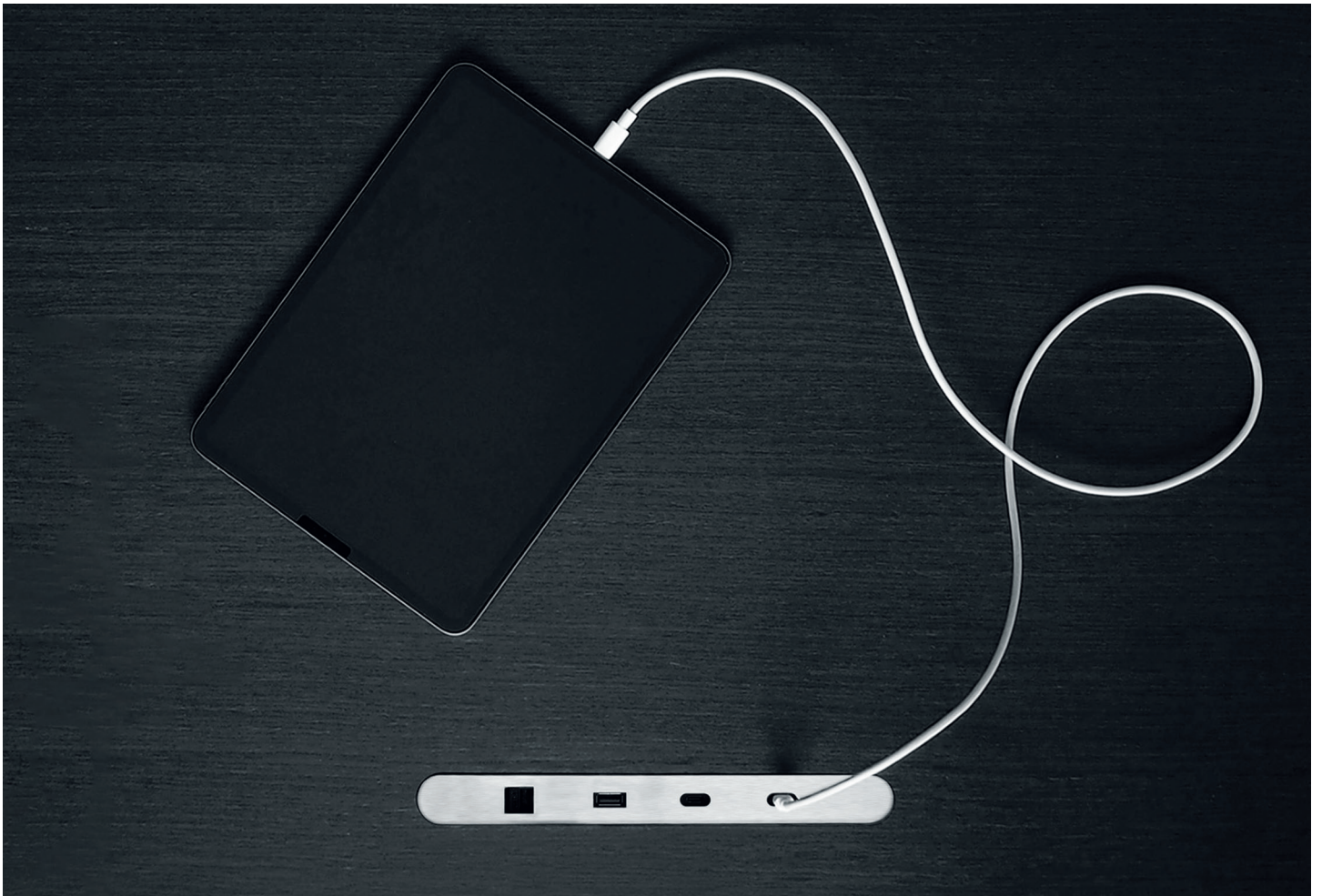
PRESS  
RELEASE

E15  
X  
ZETR



System 25 is available for nearly all e15 tables and for integration into products from other manufacturers. Find more information on e15 cable management solutions in our brochure.

For enquiries please contact us at [zetr@e15.com](mailto:zetr@e15.com)



## ABOUT ZETR

Before starting his company, ZETR founder Garth Elliott noticed a gap in the availability of power outlet and switch products that could maintain both the integrity and finish of newly complete architectural work. Having spent several years as an electrical contractor working alongside residential architects, Garth set out to create a series of flush-finished outlets and switches that could blend into surfaces and act as the quiet detail in any space.

“I saw ZETR as a solution to the problem that architects and designers inevitably come across. There was room in a market dominated by mass production for a premium series of fixtures that are visually respectful to newly constructed work. Witnessing that made diving into the design process feel so natural.”  
Garth Elliott



PRESS  
RELEASE

E15  
X  
ZETR



## ABOUT E15

e15 prides in a coherent collection of progressive furniture, lighting and accessories that bridge between private and public spaces. e15 is based in Frankfurt with its headquarters conveniently close to the specialised workshops and suppliers in Europe, primarily in Germany. A clear, unmistakable design language and consistent product philosophy resonate in collaborations with artists, designers, and architects from around the world.

With essential forms highlighting natural characteristics visible in design classics such as table BIGFOOT (1994) and stool BACKENZAHN (1996), e15 has established a leading reputation for the pioneering use of solid wood in its purest form, whilst embodying original design and sustainable production.

