

ROYAL 
BOTANIA

PLANTERS



4 Bariq
8 Botaniq
12 Cuprum
14 Cuprum Round Brass
18 Cuprum Cube Brass
22 Cuprum Round Polyester

Bariq

With its refined silhouette and artisanal finish, the Bariq planter brings an understated elegance to any outdoor setting. The gentle curve of its teak slats subtly echoes the shape of a wine barrel, adding a warm, tactile accent that feels both familiar and refined. Available in three generous sizes—50 cm, 70 cm, and 90 cm—it offers flexibility for various planting compositions, from delicate greenery to bold sculptural plants. Discreet yet distinctive, Bariq elevates its surroundings with a quiet sense of luxury.





Bariq



TEAK



REFERENCE	DIAMETER	INNERCIRCLE	HEIGHT	WEIGHT	VOLUME
BRQ50R	50 CM	31 CM	32,5 CM	12 KG	35 L
BRQ70R	70 CM	50 CM	38,5 CM	22 KG	95 L
BRQ90R	90 CM	65 CM	48,5 CM	38 KG	215 L

THIS PLANTER IS EQUIPPED WITH AN INTEGRATED DRAINAGE HOLE, ALLOWING EXCESS WATER TO DRAIN AWAY. THE SOIL IS PLACED DIRECTLY INTO THE POT.

Botaniq

Crafted for timeless elegance, the Botaniq planter brings a contemporary interpretation of classic design to the outdoors. Its square silhouette and fine teak craftsmanship offer a quiet nod to tradition, while clean lines and precise detailing ensure a seamless fit in modern garden architecture. Available in two generous sizes—70 cm and 100 cm—Botaniq provides a grounded, architectural base for lush plantings. With its serene presence and refined finish, it adds a subtle yet elevated touch to sophisticated outdoor spaces.





Botaniq



TEAK



REFERENCE	WIDTH	DEPTH	HEIGHT	WEIGHT	VOLUME
BTQ70W	70 X 70 CM	63 X 63 CM	55 CM	30 KG	165 L
BTQ100W	100 X 100 CM	92 X 92 CM	77 CM	55 KG	450 L

THIS PLANTER IS DESIGNED AS A DECORATIVE OUTER SHELL AND INCLUDES A BOTTOM GRATE FOR VENTILATION. SIMPLY PLACE THE PLANT (IN ITS INNER POT) INTO THE CASING.

Cuprum

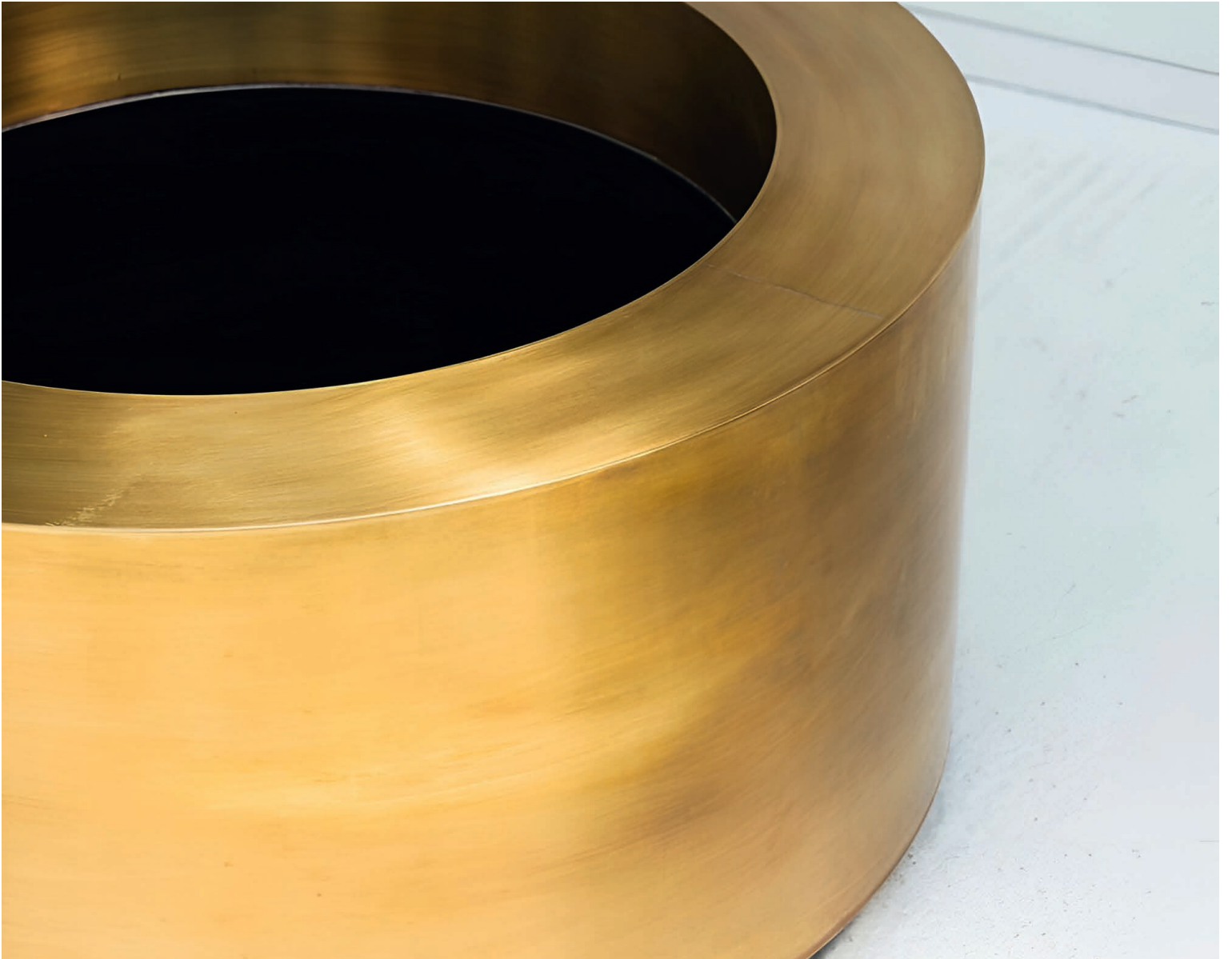
Introducing Cuprum, our luxury planter collection designed by Jan Buelens. With technical expertise and a passion for design and plants, Jan's innovative approach to blending materials and shapes has resulted in a stunning collection. Each detail is the fruit of his creative energy, making these planters true works of art. Browse our catalogue to discover the perfect Cuprum planter to elevate your space.



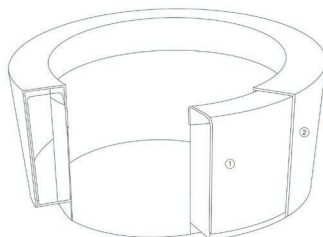
Cuprum - Round Brass

Our Brass Round Planter is available in sizes up to two meters in width, with larger models designed to be easily handled by a forklift. Featuring our innovative lightweight design, Cuprum planters are perfect for enhancing terraces and indoor spaces. For indoor use, it's important to ensure that the stainless steel drainage is closed, while for outdoor use, it should be left open. Choose the Brass Round Planter to add a touch of sophistication and elegance to any indoor or outdoor environment.





Cuprum - Round Brass



WEATHERED BRASS



POLISHED BRASS (GOLD LOOK)



WEATHERED BRASS

REFERENCE	DIAMETER	INNERCIRCLE	HEIGHT	WEIGHT	VOLUME
CPR052RWB	52 CM	38 CM	28 CM	9,1 KG	25 L
CPR062RWB	62 CM	46 CM	32 CM	12,5 KG	50 L
CPR070RWB	70 CM	50 CM	36 CM	17 KG	70 L
CPR090RWB	90 CM	65 CM	49 CM	25 KG	160 L
CPR110RWB	110 CM	80 CM	56 CM	40 KG	280 L
CPR140RWB	140 CM	100 CM	66 CM	70 KG	500 L
CPR170RWB (ON REQUEST)	170 CM	120 CM	76 CM	96 KG	850 L
CPR200RWB (ON REQUEST)	200 CM	140 CM	86 CM	130 KG	1300 L

POLISHED BRASS

REFERENCE	DIAMETER	INNERCIRCLE	HEIGHT	WEIGHT	VOLUME
CPR052RGB (ON REQUEST)	52 CM	38 CM	28 CM	9,1 KG	25 L
CPR062RGB (ON REQUEST)	62 CM	46 CM	32 CM	12,5 KG	50 L
CPR070RGB (ON REQUEST)	70 CM	50 CM	36 CM	17 KG	70 L
CPR090RGB (ON REQUEST)	90 CM	65 CM	49 CM	25 KG	160 L
CPR110RGB (ON REQUEST)	110 CM	80 CM	56 CM	40 KG	280 L
CPR140RGB (ON REQUEST)	140 CM	100 CM	66 CM	70 KG	500 L
CPR170RGB (ON REQUEST)	170 CM	120 CM	76 CM	96 KG	850 L
CPR200RGB (ON REQUEST)	200 CM	140 CM	86 CM	130 KG	1300 L

THIS PLANTER IS EQUIPPED WITH AN INTEGRATED DRAINAGE HOLE, ALLOWING EXCESS WATER TO DRAIN AWAY. THE SOIL IS PLACED DIRECTLY INTO THE POT.

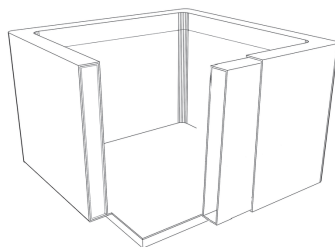
Cuprum - Cube Brass

Our Brass Cube Planter is expertly crafted to meet our exacting standards for quality, design, and functionality. Available in four sizes—70cm, 90cm, 110cm, and 140cm (which can be handled by a forklift)—this square-shaped planter is perfect for outdoor use or indoor decoration. The lightweight design allows for easy maneuverability, while the stainless steel drainage should be closed for indoor use and left open for outdoor use. Choose the Brass Cube Planter to elevate the aesthetic of any space, indoors or out.





Cuprum - Cube Brass



WEATHERED BRASS



POLISHED BRASS (GOLD LOOK)



WEATHERED BRASS

REFERENCE	WIDTH	DEPTH	HEIGHT	WEIGHT	VOLUME
CPR0707WB	70 X 70 CM	58 X 58 CM	52 CM	30 KG	160 L
CPR0909WB	90 X 90 CM	76 X 76 CM	62 CM	50 KG	350 L
CPR1111WB	110 X 110 CM	92 X 92 CM	72 CM	70 KG	580 L
CPR1414WB	140 X 140 CM	118 X 118 CM	84 CM	105 KG	900 L

POLISHED BRASS

REFERENCE	WIDTH	DEPTH	HEIGHT	WEIGHT	VOLUME
CPR0707GB (ON REQUEST)	70 X 70 CM	58 X 58 CM	52 CM	30 KG	160 L
CPR0909GB (ON REQUEST)	90 X 90 CM	76 X 76 CM	62 CM	50 KG	350 L
CPR1111GB (ON REQUEST)	110 X 110 CM	92 X 92 CM	72 CM	70 KG	580 L
CPR1414GB (ON REQUEST)	140 X 140 CM	118 X 118 CM	84 CM	105 KG	900 L

THIS PLANTER IS EQUIPPED WITH AN INTEGRATED DRAINAGE HOLE, ALLOWING EXCESS WATER TO DRAIN AWAY. THE SOIL IS PLACED DIRECTLY INTO THE POT.

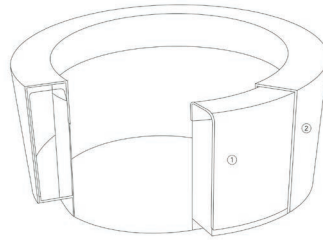
Cuprum - Round Polyester

To ensure optimal colour quality, our polyester planters undergo a mass-colouring process that renders them both colour-fast and resistant to UV radiation. In addition to a range of sizes, we offer these planters in a diverse selection of RAL colours to meet the unique needs of your project. Our planters are also designed with a wide rim for superior insulation. For indoor use, it's important to ensure that the stainless steel drainage is closed, while for outdoor use, it should be left open.





Cuprum - Round Polyester



POLYESTER - AVAILABLE IN A WIDE RANGE OF RAL COLOURS

REFERENCE	DIAMETER	INNERCIRCLE	HEIGHT	WEIGHT	VOLUME
CPR070RPRAL... (ON REQUEST)	70 CM	50 CM	36 CM	13 KG	70 L
CPR090RPRAL... (ON REQUEST)	90 CM	65 CM	49 CM	14 KG	160 L
CPR110RPRAL... (ON REQUEST)	110 CM	80 CM	56 CM	26 KG	280 L
CPR140RPRAL... (ON REQUEST)	140 CM	100 CM	66 CM	47 KG	500 L

THIS PLANTER IS EQUIPPED WITH AN INTEGRATED DRAINAGE HOLE, ALLOWING EXCESS WATER TO DRAIN AWAY. THE SOIL IS PLACED DIRECTLY INTO THE POT.

Stainless Steel Drainage

For indoor use, the drainage must be closed.

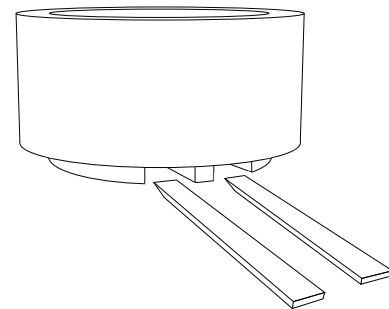
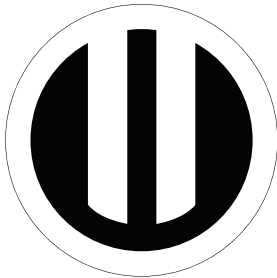


For outdoor use, the drainage must be left open.



Forklift

Both round and square **Cuprum** planters can be handled by a forklift, **starting from size 140 cm.**



ROYAL 
BOTANIA
indulge in finesse